

**Fig no. V-Z05EB Tube Bore**  
1/2" - 4" DN15 ~ DN100



**Features:**

- Investment casting body
- Blow-out-proof stem
- In-line Maintenance
- For Hygienic application

**Standard Compliance :**

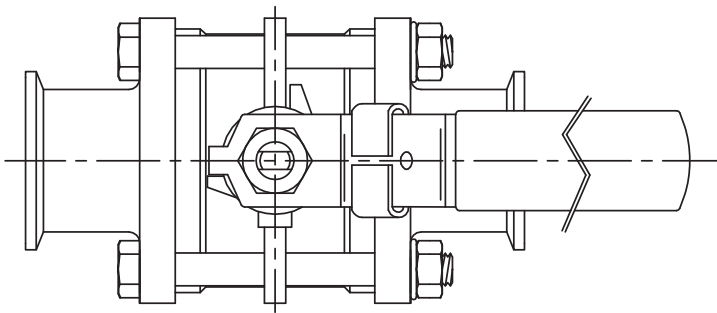
- Body wall thickness : ASTM B16.34
- Tube end : 3A
- Face to face : MD's standard
- Body material : ASTM A351
- Pressure testing : EN 12266/ API 598

**Specification :**

- End Connection : Tube end
- Working pressure : 1000 psi ( PN 63 ) for DN8- DN 50  
800 psi ( PN40 ) for DN 65-DN100
- Temperature : -20 ~ 160°C
- Inter finish-polished to SV1

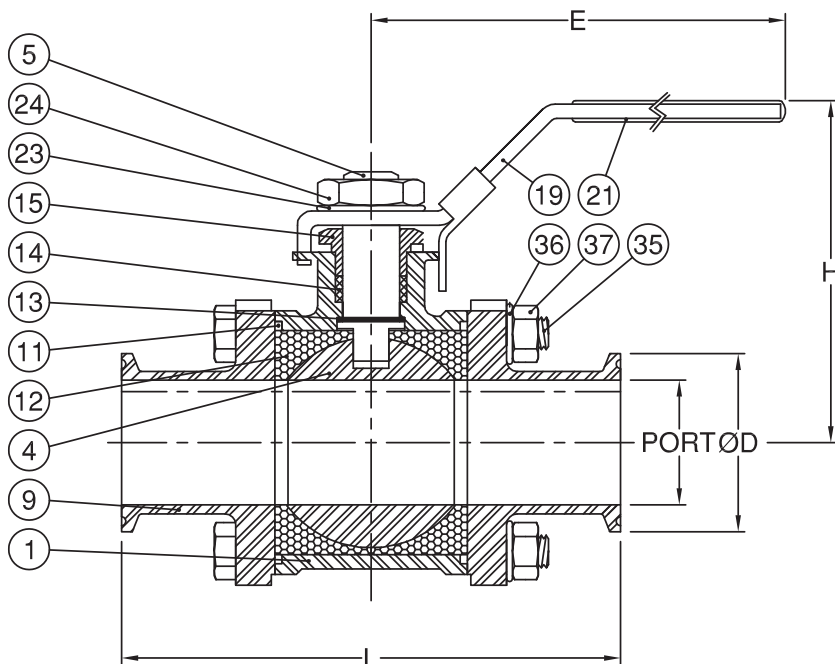
**Options:**

- Extended Tube end
- Non Cavity filler seat



**MATERIALS LIST**

NO.	PART NAME	MATERIAL
1	BODY	ASTM A351 Gr.CF8M
4	BALL	ASTM A351 Gr.CF8M
5	STEM	SS316
9	END CAP	ASTM A351 Gr.CF8M
11	BODY SEAL	PTFE.
12	SEAT	PTFE.
13	THRUST WASHER	PTFE.
14	STEM PACKING	PTFE.
15	GLAND	SS304
19	HANDLE	SS304
21	HANDLE COVER	PLASTIC
23	HANDLE WASHER	SS304
24	HANDLE NUT	SS304
35	BODY BOLT	SS304
36	BOLT WASHER	SS304
37	BOLT NUT	SS304



**DIMENSIONS**

SIZE		PORT	L	L4	E	H	ØD
DN15	1/2"	9.5	89.0	18.0	106.0	52.0	12.7
DN20	3/4"	15.9	101.0	21.0	106.0	55.0	19.1
DN25	1"	22.2	114.0	25.0	135.0	70.0	25.4
DN40	1-1/2"	35.0	140.0	28.0	182.0	89.0	38.2
DN50	2"	47.6	156.0	25.0	182.0	97.0	50.8
DN65	2-1/2"	60.2	197.0	35.0	263.0	140.0	63.4
DN80	3"	73.0	229.0	43.0	263.0	152.0	76.2
DN100	4"	97.4	241.0	37.0	285.0	184.0	101.6