

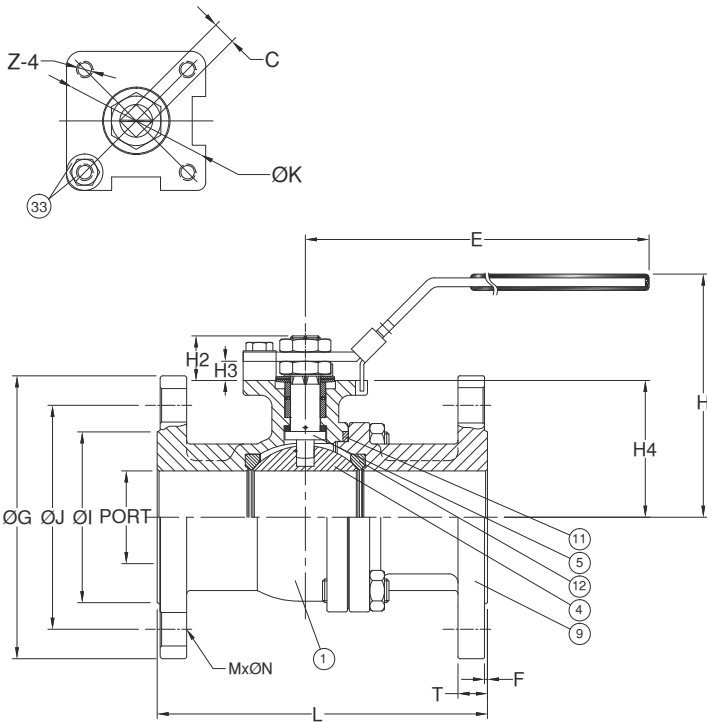


**ISO 15848-1**  
**Fugitive Emission Approved**



**API 607**  
**6th Edition**  
**Fire Safe Approved**

## DRAWING



## FEATURES

- Investment Cast Body Construction
- 2 Pieces Body Design
- ISO 5211 Mounting Flange
- Blow-Out-Proof Stem Design
- Anti-Static Device
- Available for Pneumatic or Electric Actuator
- NACE MR0175 is available upon request
- Super Alloy materials for highly corrosive medium are available upon request

**AUTOMATION AVAILABLE**

## SPECIFICATIONS

- Size Range 1/2" ~ 6" ( DN15 ~ DN150 )
- End Connection Flanged End, RF
- Working Pressure CF8M - 1440 PSI ( CWP )  
WCB - 1480 PSI ( CWP )
- Steam Pressure 150 PSIG. Saturated Steam for RTFE.
- Temperature Range -4 to 356 °F ( -20 to 180 °C ) for RTFE.

## STANDARDS

- Design ASME/ANSI B16.34 / API 608
- Mounting Flange ISO 5211
- Face to Face ASME/ANSI B16.10 Class 600
- Flange Dimension ASME/ANSI B16.5 Class 600 RF
- Material ASTM
- Pressure Testing API 598

## CERTIFICATE

- Fire Safe API 607 6th Edition / ISO 10497
- Fugitive Emission ISO 15848-1 & TA-LUFT
- Quality Assurance ISO 9001
- Material Certificate EN 10204-3.1 MTR
- CE Approval PED 2014/68/EU Module H
- Canadian Certificate CRN

## MATERIAL LIST

		GENERAL MATERIAL : CF8M / WCB
1	BODY & CAP	<b>** SPECIAL ALLOY **</b> CN7M(Alloy 20) / CW12MW(Hastelloy C276) / CD3MN(4A/Duplex) / CE3MN(5A/Super Duplex) / M35-1(Monel 400) / SS904L
4	BALL	CF8M / CN7M(Alloy 20) / M35-1(Monel 400) / CD3MN(4A/Duplex) / CE3MN(5A/Super Duplex) / CW12MW(Hastelloy C276) / SS904L
5	STEM	SS316 / N08020 / N04400 / S31803 / S32750 N10276 / N08904
11	BODY SEAL	GRAPHITE / PTFE
12	SEAT	RTFE. (15%G.F.) / TFM1600