



Pressure safety valve
with counterweight
for process or storage tank

BOT®



OVERVIEW:

The valves in the BOT range are PED certified security equipment intended to protect tanks containing group 2 gases against excess pressures (service pressure above 0.5 bar). The valve blow-off can be collected.

The valve comprises a cylindrical body and a lever mounted stainless steel counterweight, used for pressure calibration. In the event of excess pressure, the ball allows the fluid to escape to a secondary network.

As a rule, the valve is set to a pressure equal to the service pressure. Sealing is through a stainless steel ball up to 165 °C or an Arnite® ball up to 80 °C on contact with an elastomer lip seal.

SERVINOX possesses design tools to dimension a valve with respect to tank characteristics (diameter, height), resistance (pressure and vacuum) and washing conditions (temperature, flow-rate).

KEY BENEFITS:

- ▲ Fully autonomous (no external control required for its operation)
- ▲ Calibration by counterweight, ensuring excellent long-lasting reliability
- ▲ Cost-effective maintenance, with no impact on the calibration

APPLICATIONS:

- ▲ Manufacture and storage of food and non-food products in a controlled atmosphere (dairy products, beverages, waters, creams and other cosmetic products, fine chemicals, etc.)
- ▲ Tanks subject to PED compliance where the service pressure is more than 0.5 bar
- ▲ Exclusively designed to transport gases



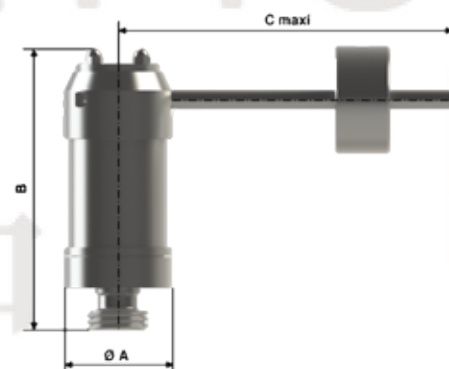
TECHNICAL SPECIFICATIONS:**Sizes:** DN25, DN32, DN38, DN40, DN50, DN51**Tank connection:** Male, female, clamp, flange from DN25 to DN50 in SMS and DIN standards**Service temperature:** from 0 °C to 165 °C**Pressure range:** 0.5 to 6 bar**KD:** 0.10**Maximum back-pressure:** 0.5 bar**State of the inside surface:** Ra to 0.8 µm**Materials:**

- Parts in contact with the product: 1.4404 (316L) stainless steel
- Other parts: Stainless steel 1.4301 (304L) and nickel-plated brass
- Sealing: VMQ (Silicone) or FKM seals (Fluorocarbon rubber, eq. Viton®)

SIZES IN MM (APPROXIMATE VALUES ONLY):**Models 51 (max 80°) and 61 (max 165°):** Straight lower connection and blow-off not collected

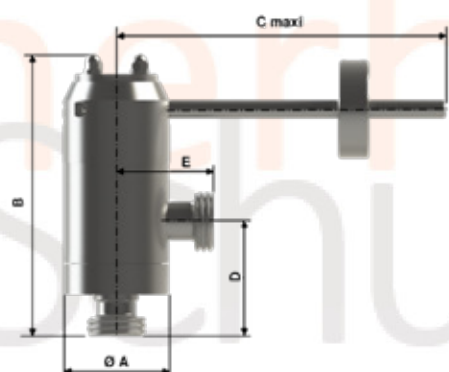
DIN SIZES	DN 25	DN 32	DN 40	DN 50
A	69	69	88	88
B	183	183	203	203
C	453	453	462	462

SMS SIZES	DN 25	DN 38	DN 51
A	65	88	88
B	183	203	203
C	453	465	465

**Models 52 (max 80°) and 62 (max 165°):** Straight lower connection and blow-off collected

DIN SIZES	DN 25	DN 32	DN 40	DN 50
A	60	60	99	99
B	183	183	203	203
C	453	453	465	465
D	77	77	85	85

SMS SIZES	DN 25	DN 38	DN 51
A	63	77	77
B	183	203	203
C	453	465	465
D	77	85	85

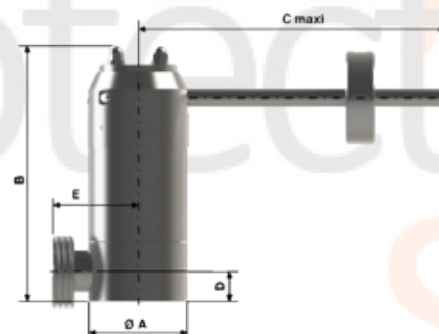


Non contractual document and pictures, subject to change with no prior notice.

Models 53 (max 80°) and 63 (max 165°): Side connection and blow-off not collected

DIN SIZES	DN 25	DN 32	DN 40	DN 50
A	60	60	71	71
B	175	175	202	202
C	453	453	465	465
D	21	21	25	25

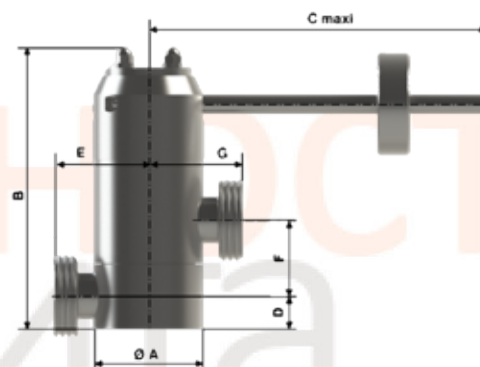
SMS SIZES	DN 25	DN 38	DN 51
A	63	77	77
B	175	202	202
C	453	465	465
D	21	25	25



Models 54 (max 80°) and 64 (max 165°): Side connection and blow-off collected

DIN SIZES	DN 25	DN 32	DN 40	DN 50
A	60	60	99	99
B	175	175	202	202
C	453	453	465	465
D	48	48	59	59
E	21	21	25	25
F	60	60	99	99

SMS SIZES	DN 25	DN 38	DN 51
A	63	77	77
B	175	202	202
C	453	465	465
D	48	59	59
E	21	25	25
F	63	77	77

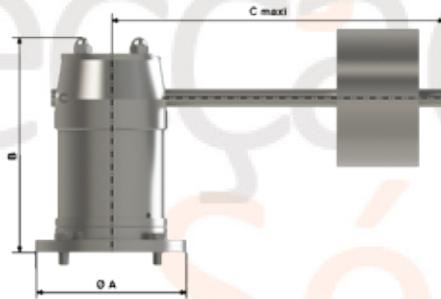


Only the commercial offer and the technical manual supplied with the equipment may be used for technical and legal purposes.

Models 55 (max 80°) and 65 (max 165°): Straight flange connection and blow-off not collected (assembly on buffer)

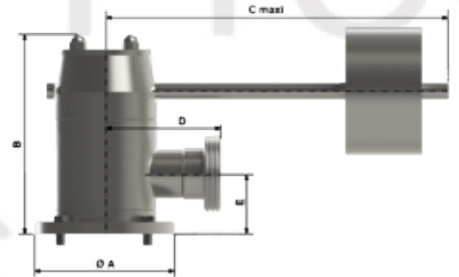
DIN SIZES	DN 25	DN 40
A	100	120
B	155	170
C	453	465

SMS SIZES	DN 25	DN 38
A	100	120
B	155	170
C	453	465



Models 56 (max 80°) and 66 (max 165°): Straight flange connection and blow-off collection (assembly on buffer)

SIZES	DIN		SMS	
	DN 25	DN 40	DN 25	DN 38
A	100	120	100	120
B	155	170	155	170
C	453	465	453	465
D	50	52	50	52
E	60	99	63	77



OPTIONS:

- Specific surface state on request (inside and/or outside)
- Arnite® ball (service temperatures below 80 °C)
- Loosening cylinder to allow the passage of NEP liquid inside the valve (not in operation)
- Forced opening detection by loosening cylinder
- Blow-off collection
- Other gaskets (specific service conditions): EPDM (Ethylene-Propylene-Diene Monomer) (service temperatures below 120°C)

GUARANTEE:

12 months from the date of delivery (except in the case of special conditions)

COMPLIANCE:

- European PED 97/23/EC compliant
- Elastomer gaskets compliant with FDA CFR 21.177.2600 and 1935/2004/EC ruling

Non contractual document and pictures, subject to change with no prior notice.
Only the commercial offer and the technical manual supplied with the equipment may be used for technical and legal purposes.