



Pressure, vacuum-relief
& gas collection safety valve
for inerted tanks

BOG®



Sealing:



Optional
sealing:



OVERVIEW:

BOG safety valves are intended to protect low pressure tanks not covered by PED against vacuums (vacuum breaker) and/or excess pressure. Depending on the version, the valve blow-off can be collected.

SERVINOX possesses design tools to dimension a valve with respect to tank characteristics (diameter, height), resistance (pressure, vacuum) and washing conditions (temperature, flow-rate).

KEY BENEFITS:

- ▲ Fully autonomous (no external control required for its operation)
- ▲ Different models available according to requirements: Pressure/vacuum (with or without blow-off collection), Pressure only (with or without blow-off collection), Vacuum only
- ▲ Safety valves compatible with hot/cold washing (after validation by the validation tool)
- ▲ Simplified and cost-effective maintenance
- ▲ Low pressure sealing
- ▲ Hygienic design
- ▲ Freeze protection option on request

APPLICATIONS:

- ▲ Manufacture and storage of food and non-food products in a controlled atmosphere (dairy products, beverages, waters, creams and other cosmetic products, fine chemicals, etc.)
- ▲ Tanks not covered by PED, where the service pressure is less than 0.5 bar and the service temperature is less than 120 °C
- ▲ Exclusively designed to transport gases



TECHNICAL SPECIFICATIONS:

Sizes: DN 40, DN 65, DN 100, DN 150 compliant with most connection standards (DIN, SMS, OD, ISO)

Tank connection: Smooth weld end, male, female, clamp, flange

Washing nozzle connection (option): Mini-clamp

Weight pressure calibration: 2 to 50 mbar

Pressure calibration with spring: 50 to 490 mbar

Weight vacuum calibration: -2 to -50 mbar

Vacuum calibration with spring: from -50 mbar

Temperature: +1 °C to 120 °C

Inside surface state: Ra 0.8 µm

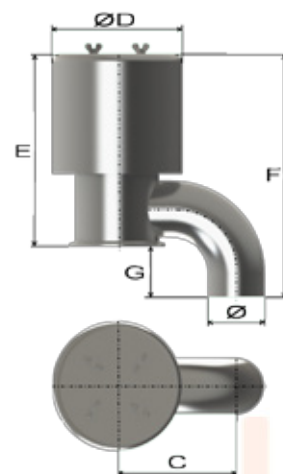
Materials:

- Parts in contact with the product: 1.4404 (316L) stainless steel
- Non-return valves: PTFE (polytetrafluoroethylene, eq. Teflon®) or 1.4404 (316L) stainless steel as per calibration
- Other parts: 1.4307 (304L) stainless steel
- Sealing: EPDM (Ethylene Propylene Diene Monomer) seals

SIZES IN MM (APPROXIMATE VALUES ONLY):

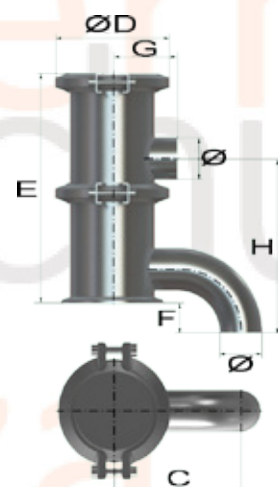
Pressure & vacuum valve:

BOG A SIZE	DN 40		DN 65		DN 100	DN 150
	SMS	DIN	SMS	DIN	SMS/DIN	DIN
C	103	123	146	148.5	197	392
D	162	162	162	162	325	325
E	204	204	240	239.5	311	357
F	243	233	303	303.5	385	493
G	39	29	62	64	74	136
Ø	38x1.25	41x1.5	63.5x1.6	70x2	104x2	154x2



Pressure & vacuum valve, collected pressure:

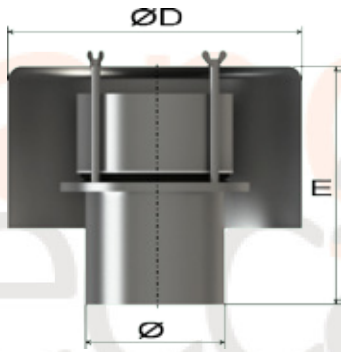
BOG B SIZE	DN 40		DN 65		DN 100	DN 150
	SMS	DIN	SMS	DIN	SMS/DIN	DIN
C	115	122	142	148.5	19	392
D	91	91	119	119	183	284
E	203	203	234	234	358	476
F	26	48.5	62	64	74	136
G	58	63	82	82	112	167
H	156	179	218	223	313	453
Ø	38x1.25	41x1.5	63.5x1.6	70x2	104x2	154x2



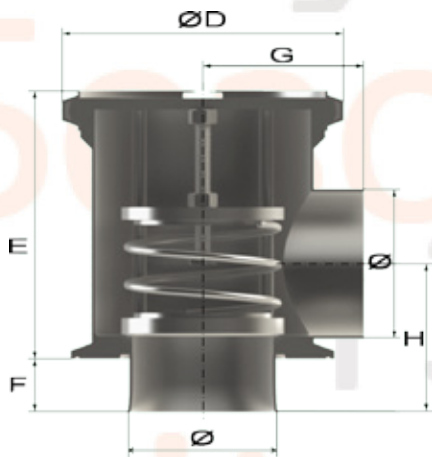
Non contractual document and pictures, subject to change with no prior notice.

Safety & Protection

Pressure valve:



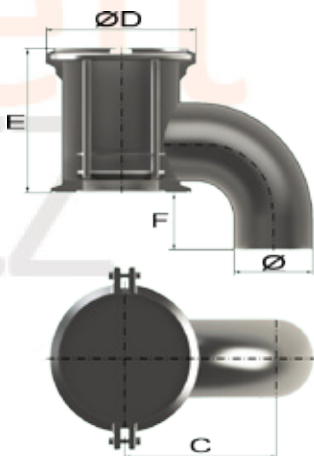
BOG C SIZE	DN 40		DN 65		DN 100	DN 150
	SMS	DIN	SMS	DIN	SMS/DIN	DIN
D	120	120	162	162	213	325
E	125	125	180	180	325	264
Ø	38x1.25	41x1.5	63.5x1.6	70x2	104x2	154x2



Collected pressure valve:

BOG D SIZE	DN 40		DN 65		DN 100	DN 150
	SMS	DIN	SMS	DIN	SMS/DIN	DIN
D	102	102	119	119	183	284
E	123	123	120	120	185	248
F	25	25	25	25	25	12
G	63	63	82	82	111	147
H	55	56.5	68	71	91	101
Ø	38x1.25	41x1.5	63.5x1.6	70x2	104x2	154x2

Vacuum valve:



BOG E SIZE	DN 40		DN 65		DN 100	DN 150
	SMS	DIN	SMS	DIN	SMS/DIN	DIN
C	115	123	142	148.5	197	372
D	91	91	119	119	183	284
E	104	104	120	120	185	248
F	26	28.5	62	64	74	136
Ø	38x1.25	41x1.5	63.5x1.6	70x2	104x2	154x2

Only the commercial offer and the technical manual supplied with the equipment may be used for technical and legal purposes.

OPTIONS:

- Compliant "ATEX 94/9/EC, zones 1 & 2, gas & dust" (models with blow-off collection)
- Compliant PED (vacuum valve)
- Drip collector and anti-insect filter on the vacuum part
- Washing nozzle (the drip collector and anti-insect filter are highly recommended)
- Sterile air intake on elbow-joint enabling all inerting and protection functions to be included on a single tank spigot
- Inductive opening detection in vacuum
- Protection against freezing by a temperature probe, heater cable and thermostat, to ensure valve operation at outdoor temperatures lower than 0 °C
- Specific surface state on request (inside and/or outside)
- Other gaskets (specific service conditions): FKM (Fluorocarbon rubber, eq. Viton®), VMQ (Silicone), NBR (Nitrile rubber), FFKM (Perfluoroelastomer, eq. Kalrez®)
- Gaskets USP Class VI compliant
- PTFE valves + 15 % graphite (ATEX version)

GUARANTEE:

12 months from the date of delivery (except in the case of special conditions)

COMPLIANCE:

- Elastomer gaskets compliant with FDA CFR 21.177.2600 and 1935/2004/EC ruling
- Optional: "ATEX 94/9/EC, zones 1 & 2, gas & dust" version on the models with blow-off collection,
- Optional: European PED 97/23/EC version on the vacuum model
- Optional: Elastomer gaskets USP Class VI compliant

SERVINOX follows the recommendations of international guidelines and standards relative to hygienic design and construction, in particular those of the EHEDG and 3-A.

Non contractual document and pictures, subject to change with no prior notice.
Only the commercial offer and the technical manual supplied with the equipment may be used for technical and legal purposes.

Servinox is an ISO 9001:2008 certified company

