



Carbonators in-line injection of a gas for clear liquids

AE[®]



OVERVIEW:

The AE carbonator is used for the in-line injection of a gas in a clear liquid.

The gas is injected in the carbonator via the side entry spigot and diffused in the liquid through a porous disc (version A) or an injection sleeve perforated with calibrated holes (version D). The particular profile of the carbonator optimizes the dissolution of the gas in the product and limits the expansion of the carbonated liquid on exit from the equipment.

The AE carbonator is equipped with a mounting thread on the liquid intake and outlet and on the gas intake. A drain valve on the injection chamber is used during line cleaning to evacuate the cleaning solution from the chamber.

The saturation level of the liquid in gas is determined by the flow, the temperature of the liquid and the pressure of the gas. We are able to determine these values according to the required saturation levels.

The AE carbonator can be integrated in an XAE type unit integrating the automatic adjustment and control of in-line measurement.

KEY BENEFITS:

- ▲ In-line carbonation
- ▲ Injection of the gas at the core of the liquid stream
- ▲ Version available for wort ventilation
- ▲ Desaturation minimized after the injection

APPLICATIONS:

- ▲ On circuits conveying clear liquids
- ▲ Beers and other carbonated beverages

TECHNICAL SPECIFICATIONS:

Sizes:

- **SMS:** 38 mm (1.1/2"), 51 mm (2"), 63.5 mm (2.1/2"), 76.1 mm (3") and 104 mm (4")
- **DIN 11851:** DN 15, DN 20, DN 25, DN 40, DN 50, DN 65, DN 80 and DN 100

Connection: Male

Gas connector size: DN 20 for standard DIN 11851, DN 25 for standard SMS

Service pressure: Up to 6.0 bar

Service temperature: From 1 °C to 120 °C

Materials:

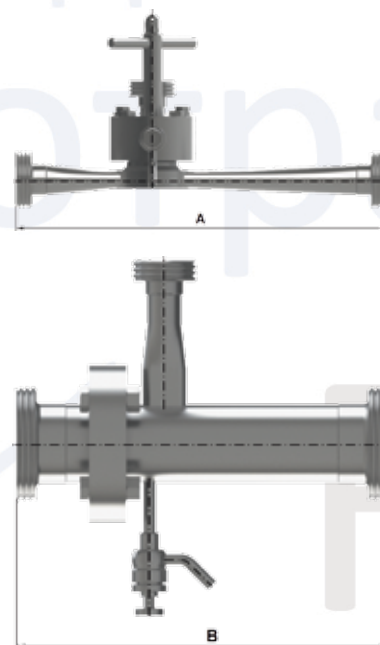
- Parts in contact with the product: 1.4404 (316L) stainless steel
- Other parts: 1.4301 (304L) stainless steel
- Tightness in contact with the product: EPDM (Ethylene Propylene Diene Monomer)

We recommend placing a non-return valve with drain on the gas intake so that the side entry intake spigot can be cleaned.

DIMENSIONS IN MM:

DIN SIZES	LENGTH A (MM)
DN 15	250
DN 20	340
DN 25	350

DIN SIZES	LENGTH B (MM)	SMS SIZES	LENGTH B (MM)
DN 40	200	38 mm	200
DN 50	260	51 mm	245
DN 65	374	63.5 mm	380
DN 80	510	76.1 mm	474
DN 100	760	104 mm	764



OPTIONS:

- Wort ventilation version for beer production
- Other types of connectors
- Other construction materials nuances
- Customized equipment

GUARANTEE:

12 months from the date of delivery (except in the case of special conditions)

COMPLIANCE:

- Piping accessory compliant with European PED 97/23/EC, §3.3
- Elastomer gaskets compliant with FDA CFR 21.177.2600 and 1935/2004/EC ruling

SERVINOX follows the recommendations of international guidelines and standards relative to hygienic design and construction, in particular those of the EHEDG and 3-A.

Non contractual document and pictures, subject to change with no prior notice.
Only the commercial offer and the technical manual supplied with the equipment may be used for technical and legal purposes.

Servinox is an ISO 9001:2008 certified company

