

Bio 7SB

Scanjet tank cleaning equipment



KEY FEATURES

- + Rotating spray
- + 360 degree spiral cleaning
- + Ideal for small to medium sized tanks
- + Low pressure
- + Low volume

The Scanjet Bio 7SB is a very efficient replacement to traditional static cleaning devices, it offers 360° impact coverage, self-cleaning and self-draining. The design follow EHEDG and GMP guidelines, it can be supplied with EN10204-2.1, 2.2 or 3.1 material and FDA 21CFR compliance certificates.

The Scanjet Bio 7SB-XXX-A (clip-on and weld on versions) has attained 3A certification under sanitary standard 78-01.

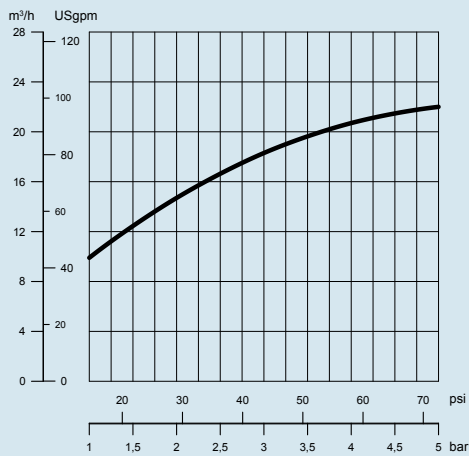
This new type of fluid bearing Rotary Spray Head is becoming the first choice for customers looking to improve their CIP tank cleaning systems, saving water and at the same time increase the cleaning efficiency. The Bio 7SB is easy to install and comes with either a pin, weld-on or threaded connection, the life time of fluid bearing cleaning devices is two to three times compared to what traditional ball bearing cleaning devices offer.

The Scanjet Bio 7SB can be used in a wide range of applications such as;

- + Mixing vessels
- + Reactors
- + Yeast tanks
- + IBC's
- + Blending tanks
- + Beverage tanks
- + Dairy tanks
- + Enclosed Cheese Vats

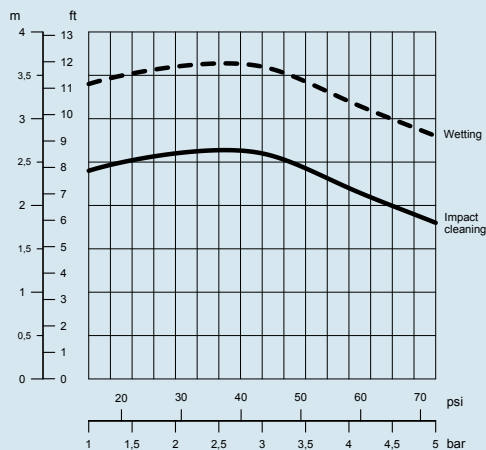


Technical performance



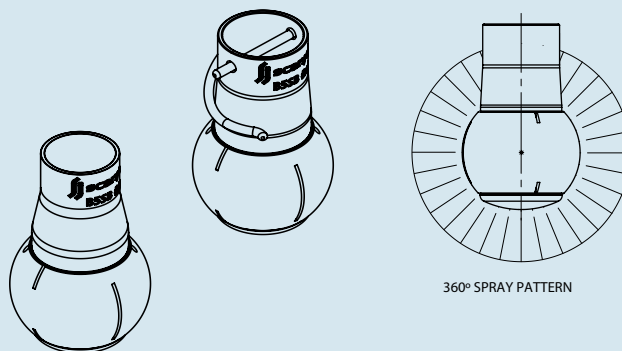
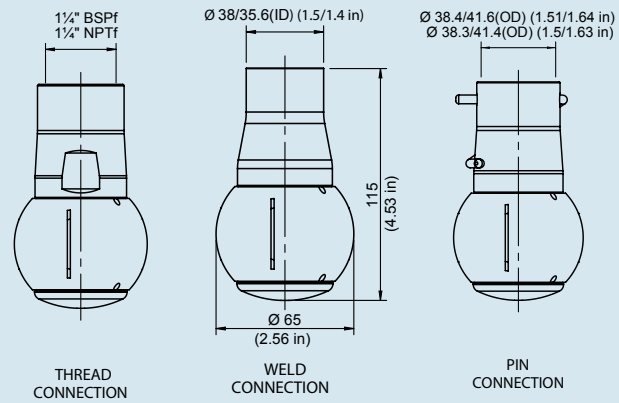
* Clip-on models have approx. 0,5 m³/h higher flow rate

Pressure/Flow



Cleaning radius

Dimensions



Specifications

Flow	10.7-27.5 m³/h (47-120 USgpm)
Inlet pressure	1-5 bar (14-72 psi)
Max pressure	5 bar (72 psi)
Recommended pressure	3 bar (43 psi)
Max working temperature	95°C (200°F)
Max ambient temperature	150°C (300°F)
Weight	452-477 g (15.94-16.83 oz)
Connections	Weld connection Pin connection 1 1/4" BSPf / 1 1/4" NPTf
Material	EN1.4404/PEEK
Lubrication	Self lubricated by media
Surface finish	Ra 0,8 µm



Scanjet Systems AB
P.O. Box 9316
SE-400 97 Göteborg Sweden
Phone + 46 31 3387530
Fax + 46 31 3387540
E-mail sales@scanjetsystems.com
Web www.scanjetsystems.com