



Centrifugal Sanitary Pumps

CS - CSX series

Standard design

Closed coupled hygienic centrifugal pumps with open impellers. CS Series pumps meet the highest requirements of the food, pharmaceutical, chemical and water treatment industries.

The pumps are designed to a modular concept, resulting in a large number of models and a massive performance range. When combined with the extremely robust construction, these highly efficient pumps become ideal for any hygienic process system.

Wetted parts in CF-3M 1.4404 / AISI 316L stainless steel, investment cast and electro-chemically polished.

Special internal finishes to 0,5 micron Ra are available on request (not on sizes 125 to 150).

Separate IEC standard motor.

Flow rates up to 500 m³/h, heads up to 100 m (10 bar); high performance, with low NPSH values.

The clamp casing and seal design allows quick disassembly for inspection, cleaning and maintenance. It also enables the delivery port to be rotated to any position for easy installation (not on sizes 125 to 150).

For aggressive products and environments, CS pumps can on special request, be manufactured in the following materials:

- Sanicro 28 (1.4563)
- Duplex SAF 2507 (1.4410)
- Hastalloy C276

Seals:

Mechanical seals with seats to EN 12756, ISO 3069 standards.

Single internal mechanical seal

Single external mechanical seal

Double flushed mechanical seal

Elastomers (certified to FDA):

EPDM

Fluorocarbon (Viton)

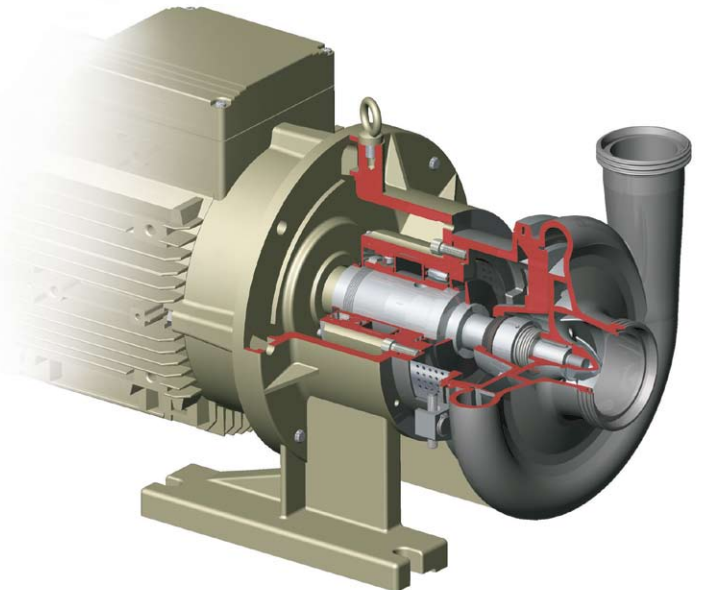
Silicone

P.T.F.E. (Fep)

Special version equipped with an inducer in the suction port. This device is fitted immediately upstream of the impeller to reduce the NPSH required by the pump.



CS pump with shroud and adjustable feet.



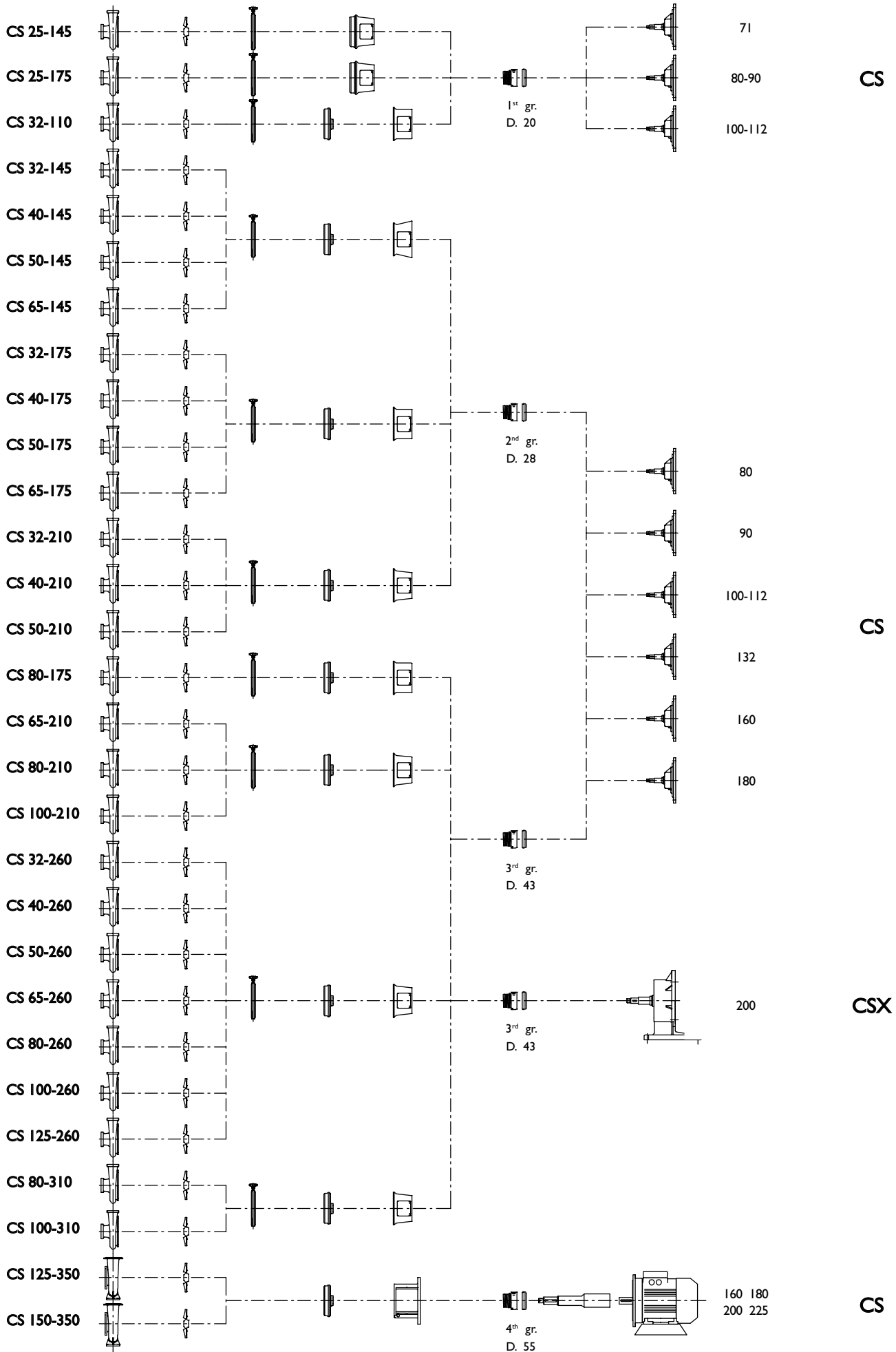
CS pump X execution

Close coupled centrifugal pumps with separate support frame and grease lubricated bearings, for extremely arduous applications.

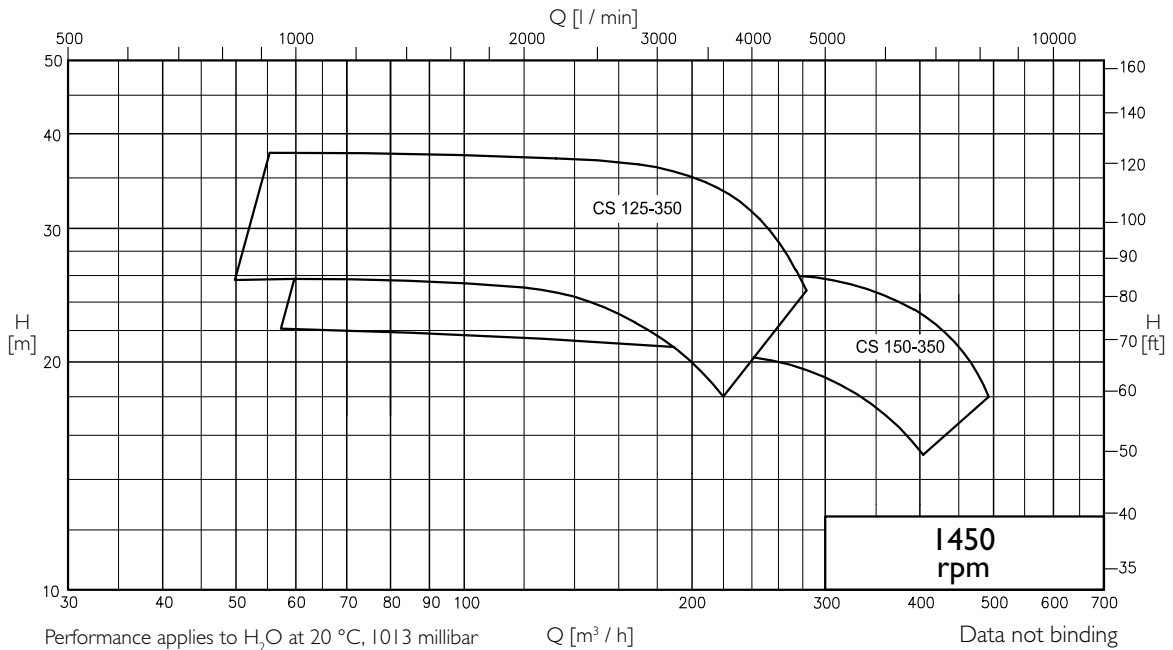
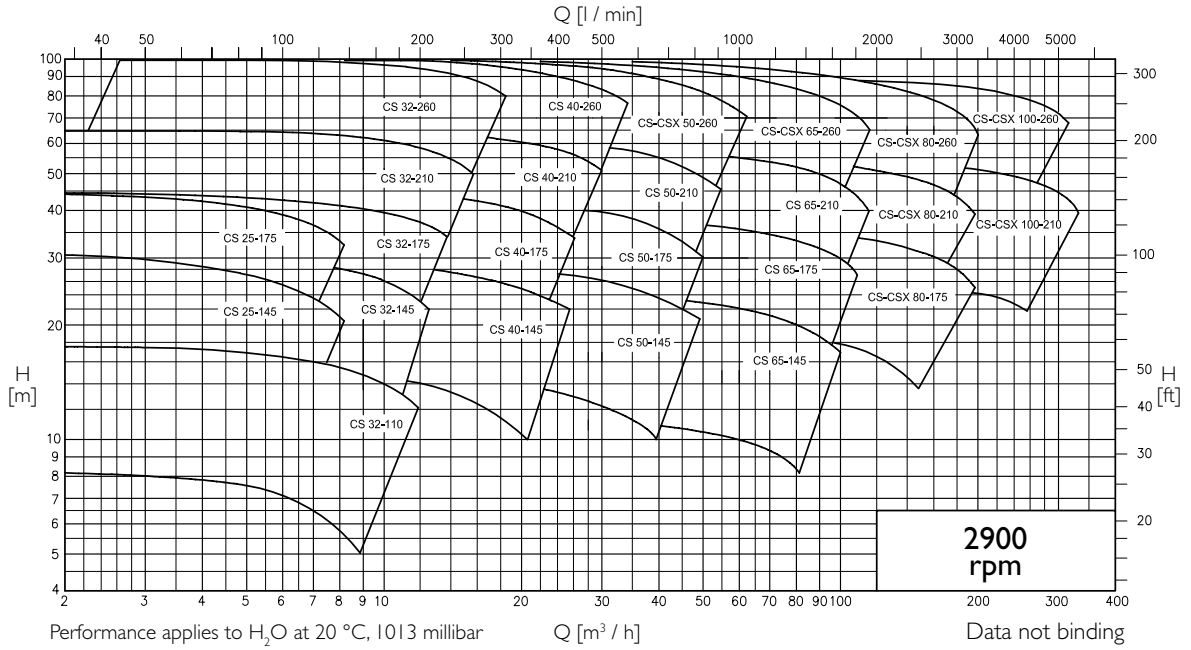
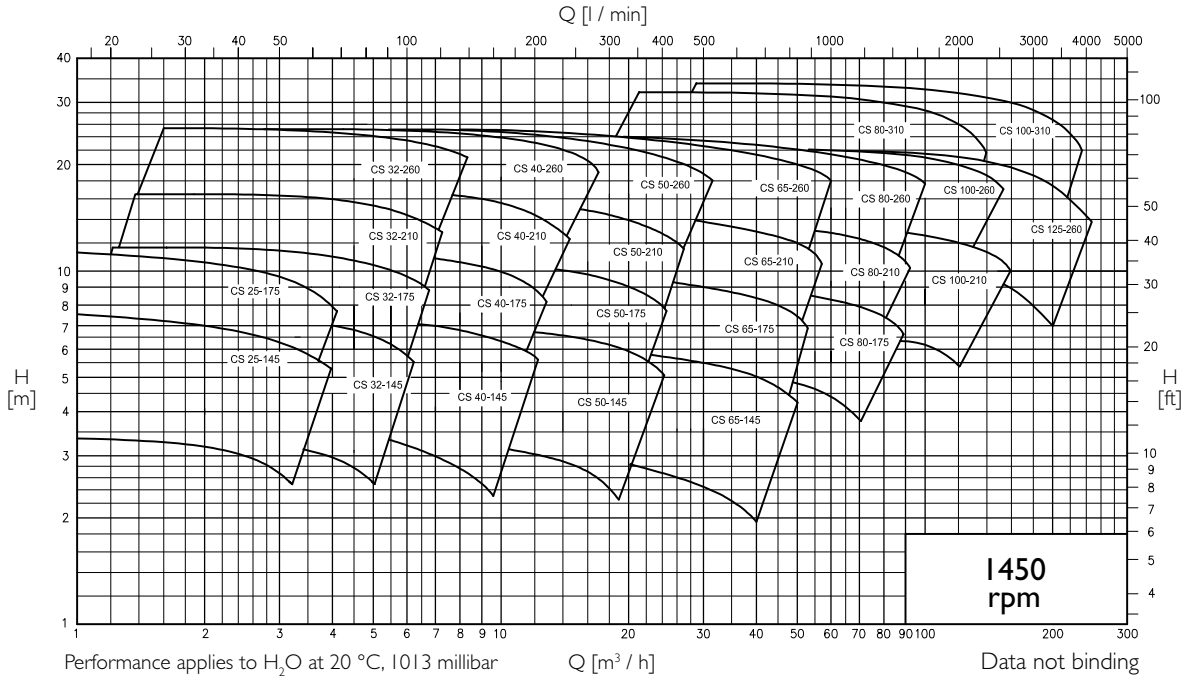
Connections:

DIN - SMS - IDF - BS / RJT - DS - CLAMP and EN 1092-1 PN 16 flanges suitable for all international standards.

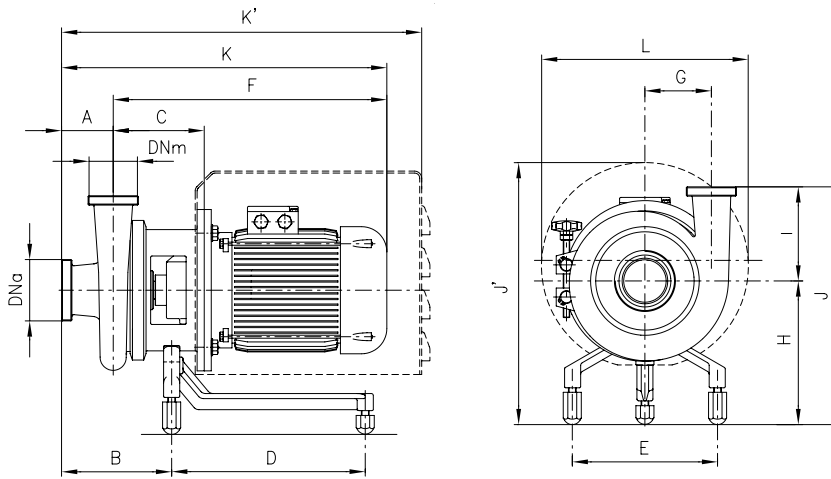
A wide range of 29 models divided into 4 groups.



GENERAL DIAGRAMS



OVERALL DIMENSIONS

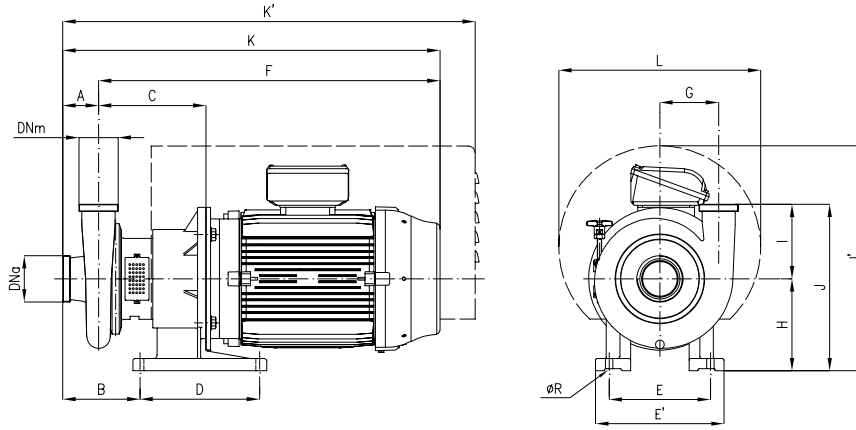


Dimensions not binding - DN = DIN 11851 male threaded connections with standard IEC/EN motors

Pumps	IEC motors size:	DNa	DNm	A	B	C	D	E	F	G	H	K	K'	I	J	J'	L						
CS 25-145	71	32	25	75	144	117	190	178	335	81	158	410	532	145	303	300	239						
	80					123			359			434	541			340	298						
	90					403			478														
CS 25-175	71	32	25	65	134	117	190	178	335	96	164	410	522	149	313	306	239						
	80					123			359			424	531			346	298						
	90					403			468														
	100					138	301	225	454		519	619	359		353	330							
	112					466																	
CS 32-110	71	40	32	70	137	117	190	178	335	65	149	405	527	110	259	291	239						
	80					123			359			429	536			331	298						
	90					403			473														
CS 32-145	80	40	32	80	167	138	231	225	374	85	208	454	566	145	353	372	298						
	90					418			498														
	100					139	301		455		225	535			370	430	330						
	112					467																	
CS 32-175	80	40	32	80	167	139	231	225	375	95	213	455	567	150	363	385	298						
	90					419			499														
	100					140	301		456		230	536			380	435	330						
	112					468																	
CS 32-210	80	40	32	80	158	139	231	225	375	110	221	455	567	165	386	385	298						
	90					419			499														
	100					140	301		456		238	536			403	443	330						
	112					467																	
CS 32-260	90	50	32	90	184	163	231	225	443	140	221	533	601	172	393	385	298						
	100					164			301			480						238	570	410	443	330	
	112					492																	
CS 40-145	80	50	40	80	168	139	231	225	375	90	208	455	567	133	341	372	298						
	90					418			498														
	100					140	301		455		225	535			358	430	330						
	112					467																	
CS 40-175	80	50	40	80	169	141	231	225	377	95	213	457	569	150	363	377	298						
	90					421			501														
	100					142	301		458		230	538			380	435	330						
	112					470																	
CS 40-210	80	50	40	80	161	141	231	225	377	115	221	457	569	165	386	385	298						
	90					421			501														
	100					142	301		458		238	538			403	443	330						
	112					470																	
CS 40-260	90	50	40	100	194	163	231	225	443	145	221	543	611	172	393	385	298						
	100					164			301			480						238	580	410	443	330	
	112					492																	
CS 50-145	80	65	50	80	170	141	231	225	377	95	208	457	569	145	353	372	298						
	90					421			501														
	100					142	301		458		225	538			370	430	330						
	112					470																	
CS 50-175	80	65	50	80	169	141	231	225	377	100	213	457	569	150	363	377	298						
	90					421			501														
	100					142	301		458		230	538			380	435	330						
	112					470																	
CS 50-210	90	65	50	80	161	141	231	225	421	120	221	501	569	165	386	385	298						
	100					142			301			458						238	538	402	443	330	
	112					470																	
CS 50-260	100	65	50	90	185	165	301	225	481	145	238	571	671	175	413	443	330						
	112								493														
	80								80			65						79	173	145	231	225	381
90	425	504																					
CS 65-145	100	80	65	79	173	146	301	225	462	112	225	541	642	145	370	430	330						
	112								474			553											
	90								144			231						424	213	504	363	377	298
	100								145			301						461	230	541	380	435	330
CS 65-175	112	80	65	80	172	145	301	225	473	120	230	553	641	150	386	385	298						
	90								168			231						448	221	538	403	443	330
	100								169			301						485	238	575	403	443	330
CS 65-210	112	80	65	90	189	169	301	225	497	135	238	587	675	165	403	443	330						
	100								484														
	112								496														
CS 65-260	100	80	65	100	198	168	301	225	484	155	238	584	684	205	443	443	330						
	112								496														

OVERALL DIMENSIONS

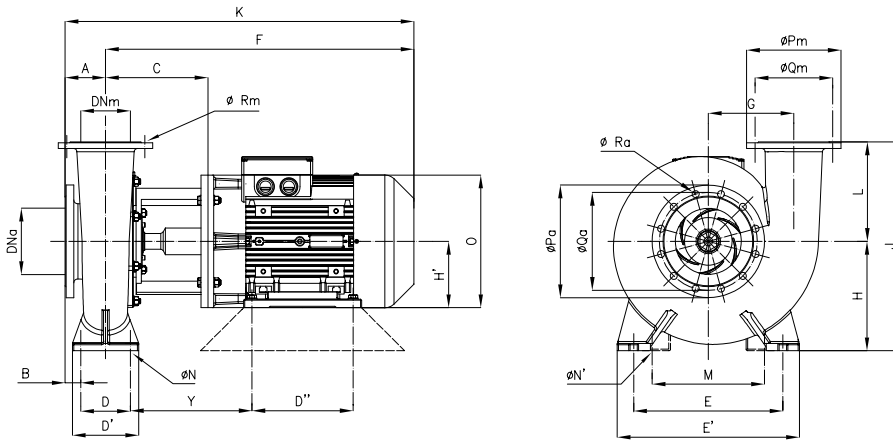
**PUMPS CSX SERIES
FOR POWER OF 30 kW
(MOTOR SIZE IEC 200)**



Dimensions not binding - DN = DIN 11851 male threaded connections with standard IEC/EN motors

Pumps	EC motor size 200	DNa	DNm	A	B	C	D	E	E'	F	G	H	K	K'	ØR	I	J	J'	L
CSX 50-260		65	50	90	201	296	335	284	360	915	145	258	1005	1141	21	175	433	613	530
CSX 65-260		80	65	100	213	298				917	155		1017	1153		205	463		
CSX 80-175		100	80	100	219	304				923	139		1023	1159		164	422		
CSX 80-210		100	80	100	216	301				920	145		1020	1156		164	422		
CSX 80-260		100	80	100	216	301				920	165		1020	1156		209	467		
CSX 80-310		100	80	100	218	303				964	200		1064	1154		250	508		
CSX 100-210		125	100	111	234	308				927	161		1038	1174		214	472		
CSX 100-260		125	100	115	233	303				922	186		1037	1173		216	474		
CSX 100-310		125	100	115	237	307				968	215		1083	1172		259	517		
CSX 125-260	150	125	110	237	312	931				206	1041		1177	216		474			

**"CS" PUMP
4th GROUP
CLOSE COUPLED
VERSION**



Dimensions not binding - DN = Flanges EN 1092-1 PN 16

Pumps	IEC motors size:	DNa	DNm	A	B	C	D	D'	D''	E	E'	F	G	H	H'	K	J	Y	L	M	N	N'	O	Ø Pa	Ø Pm	Ø Qa	Ø Qm	Ø Ra	Ø Rm	no. holes a	no. holes m							
CS 125-350	132	150	125	122	47	286	150	200	279	400	500	846	232	280	132	825	300	300	216	300	12	300	285	250	240	210	22	18	8	8								
	160																														764	160	886	319	254	17	350	
	180																														913	200	1035	361	318	19	400	
	200																														983	225	1105	407	356	19	450	
	225																														1105	225	1105	407	356	19	450	
CS 150-350	132	200	150	122	47	292	150	200	279	450	550	852	258	330	160	892	630	338	300	279	22	17	350	340	285	295	240	22	22	12	8							
	160																															770	160	892	325	254	17	350
	180																															919	200	1041	367	318	19	400
	200																															989	225	1111	413	356	19	450
	225																															1111	225	1111	413	356	19	450



C.S.F. Inox S.p.A. Strada per Bibbiano, 7 - 42027 Montecchio E. (RE) - ITALY EU
Ph +39.0522.869911 ra. - Fx +39.0522.865454 / 866758 - csfitalia@csf.it - www.csf.it

Export Department • Commercial Étranger • Comercial Extranjero
Ph +39.0522.869922 - Fx +39.0522.869841 - csfexport@csf.it - www.csf.it

All the instructions, data and representations (in whatever way executed) listed in this publication are indicative and do not binding. C.S.F. does not stand surety or undertake any obligation for the utilisation of this document and for the information contained. In particular, it does not guarantee against omissions or errors of the data and drawings here indicated.
Notice that the technical specifications, information and representations in this document are merely indicative and approximate. C.S.F. INOX reserves the right at any moment and without notice to modify the data, drawings and information indicated in this document.