

Fig No: MD-928EB(BPE)

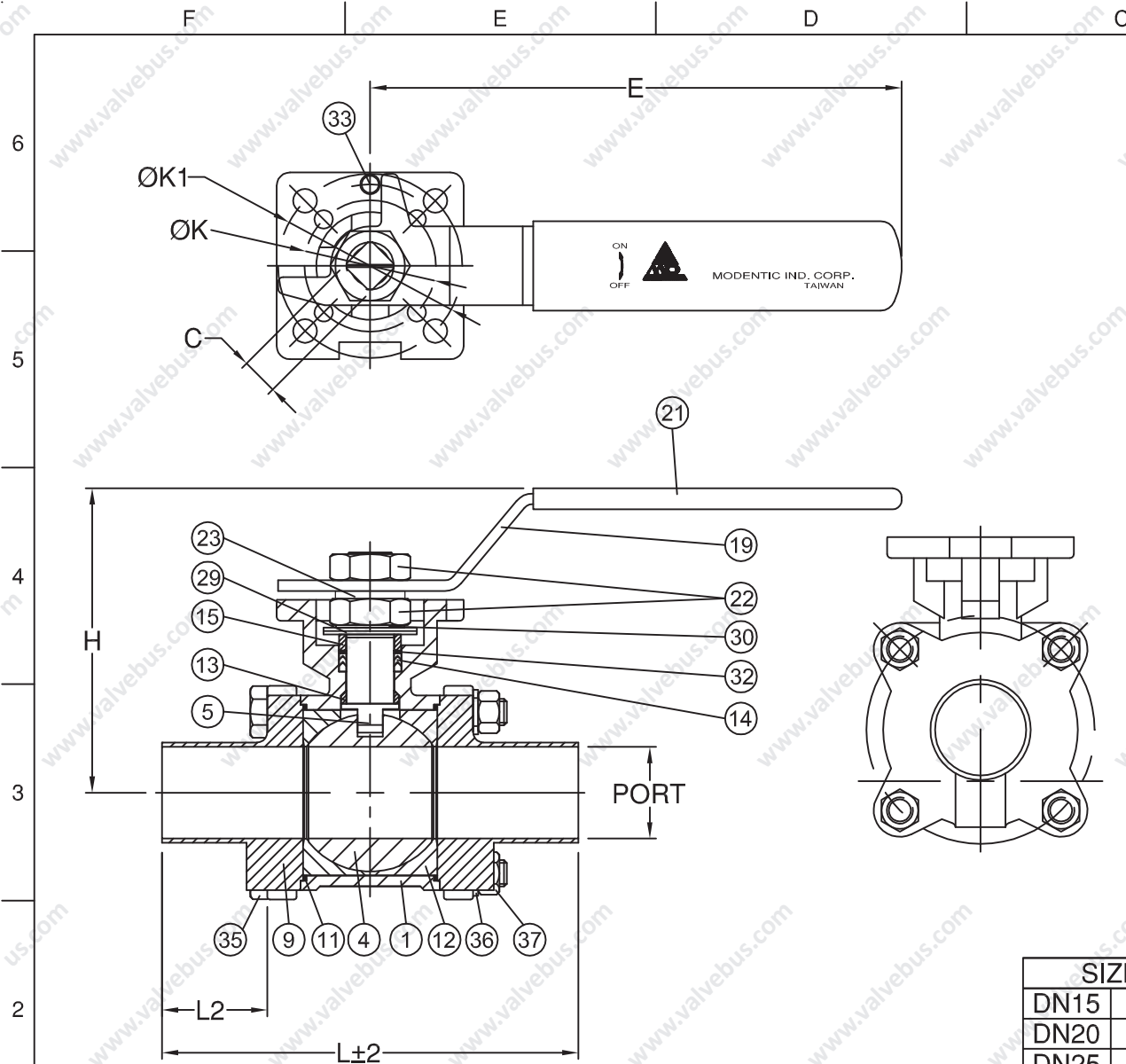
MATERIALS LIST

NO.	PART NAME	MATERIAL
1	BODY	ASTM A351 Gr.CF3M
4	BALL	ASTM A351 Gr.CF3M
5	STEM	SS316L
9	END CAP	ASTM A351 Gr.CF3M
11	BODY SEAL	TFM1600
12	SEAT	TFM1600
13	THRUST WASHER	TFM1600
14	STEM PACKING	TFM1600
15	GLAND BUSH	SS304
19	HANDLE	SS304
21	HANDLE COVER	PLASTIC
22	STEM NUT	SS304
23	HANDLE WASHER	SS304
29	BELLEVILLE WASHER	SS301
30	TAB WASHER	SS304
32	PACKING FOLLOWER	TFM1600
33	LEVER STOP	SS304
35	BODY BOLT	SS304
36	BOLT WASHER	SS304
37	BOLT NUT	SS304

DIMENSIONS

unit:mm

SIZE	PORT	L	L2	E	H	C	ØK	ØK1
DN15	1/2"	9.40	128.50	40.00	117.00	77.70	9.00	42.00
DN20	3/4"	15.80	132.80	40.00	117.00	81.70	9.00	42.00
DN25	1"	22.10	135.00	40.00	138.50	95.00	11.00	50.00
DN40	1-1/2"	34.80	158.20	40.00	202.00	115.70	14.00	50.00
DN50	2"	47.50	174.50	40.00	202.00	124.20	14.00	50.00



CODE	A-123	⊕ ⊖	APPROVED BY.	CHECK BY.	DRAWN BY.	DRAWING NO.	MATERIAL	UNIT	DESCRIPTION
	SIGN	MIKE	JERRY	FRADY	MD-928EB-S001	MATERIALS LIST	mm	THREE PIECES HIGH PURITY BALL VALVES, TUBE END, TUBE BORE, 1000PSI	
	DATE	01/09/2013	01/09/2013	01/09/2013	REVISION	01	SCALE		FREE

Fig No: MD-928EB(BPE)

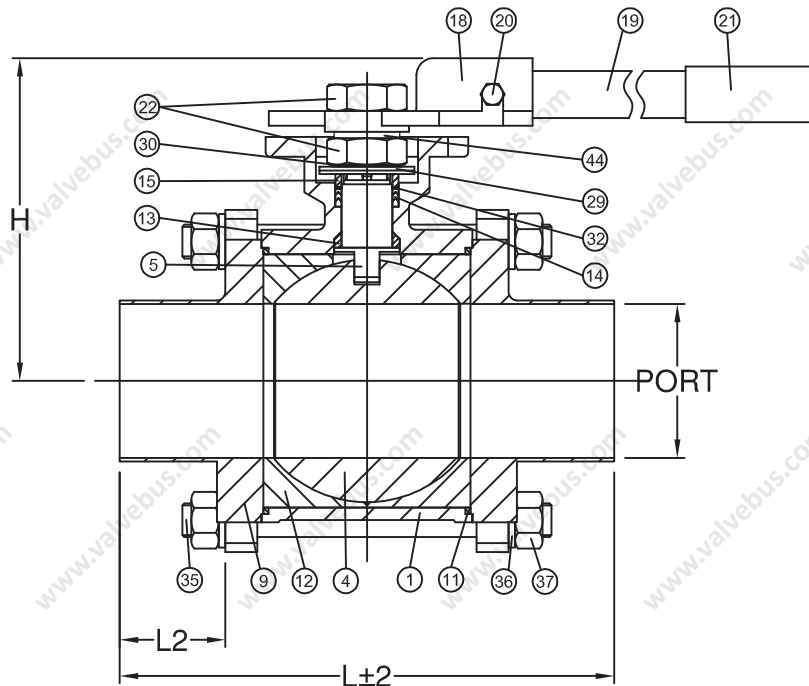
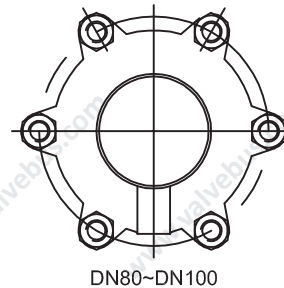
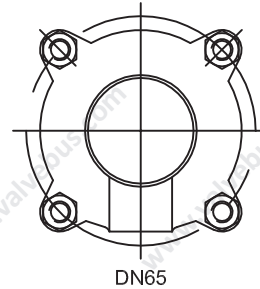
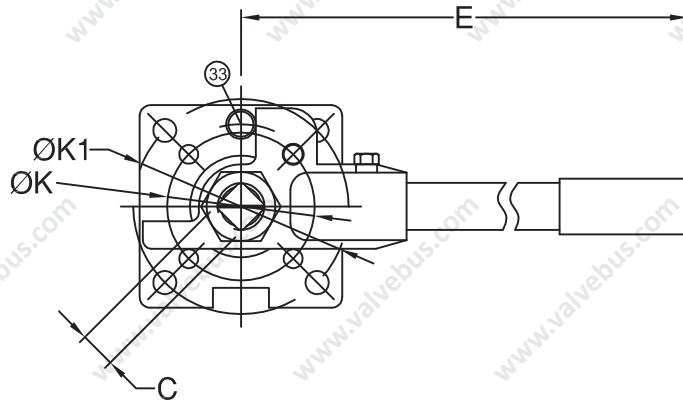
MATERIALS LIST

NO.	PART NAME	MATERIAL
1	BODY	ASTM A351 Gr.CF3M
4	BALL	ASTM A351 Gr.CF3M
5	STEM	SS316L
9	END CAP	ASTM A351 Gr.CF3M
11	BODY SEAL	TFM1600
12	SEAT	TFM1600
13	THRUST WASHER	TFM1600
14	STEM PACKING	TFM1600
15	GLAND BUSH	SS304
18	YOKE SLEEVE	SS304
19	HANDLE	SS304
20	SET SCREW	SS304
21	HANDLE COVER	PLASTIC
22	STEM NUT	SS304
23	HANDLE WASHER	SS304
29	BELLEVILLE WASHER	SS301
30	TAB WASHER	SS304
32	PACKING FOLLOWER	TFM1600
33	LEVER STOP	SS304
35	BODY BOLT	SS304
36	BOLT WASHER	SS304
37	BOLT NUT	SS304

DIMENSIONS

unit:mm

SIZE	PORT	L	L2	E	H	C	ØK	ØK1	
DN65	2-1/2"	60.20	222.00	51.40	365.50	142.20	17.00	70.00	102.00
DN80	3"	72.90	234.20	50.00	365.50	150.20	17.00	70.00	102.00
DN100	4"	97.50	258.90	50.00	401.00	191.10	22.00	70.00	125.00



CODE	A-123	APPROVED BY	CHECK BY	DRAWN BY	DRAWING NO.	MATERIAL	UNIT	DESCRIPTION
	SIGN	MIKE	JERRY	FRADY	MD-928EB-S001	MATERIALS LIST	mm	THREE PIECES HIGH PURITY BALL VALVES, TUBE END, TUBE BORE, 720PSI
	DATE	01/09/2013	01/09/2013	01/09/2013	REVISION	01	SCALE	